

# Antenna Kit

Model **L1600-001**

## Data Sheet

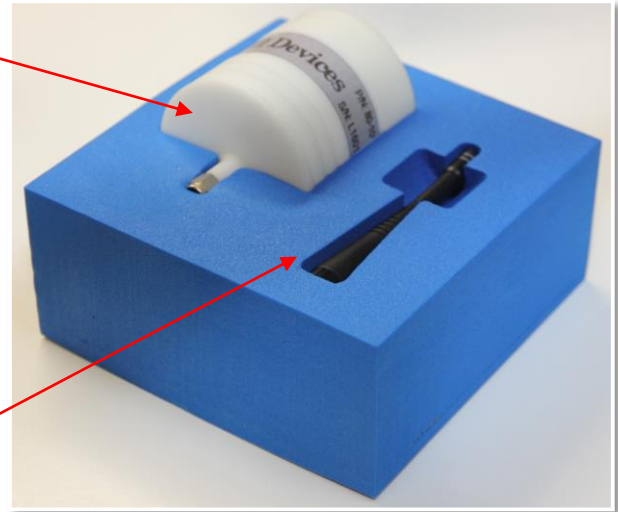


EMI/RFI/ESD Test Solutions

Product Datasheet

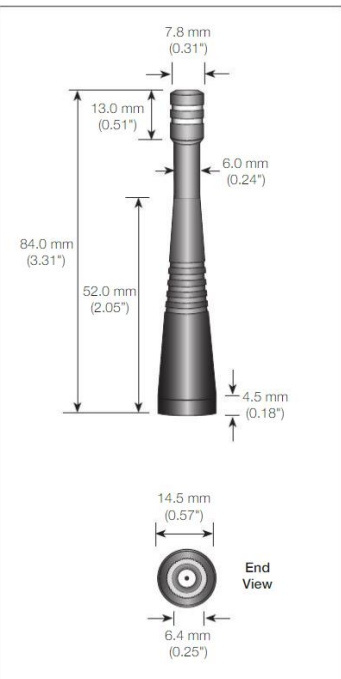
80-1017-000

PR-1005-868



### PR-1005-868

EMI Devices Part Number:	PR-1005-868
Description:	¼ Wave Antenna
Manufacturer:	Linx Technologies Inc.
Manufacturer Part Number:	ANT-868-CW-QW-SMA
Center Frequency:	868 MHz
Frequency Range:	750-950 MHz
Detailed Product Datasheet:	<a href="#">ANT-868-CW-QW</a>



### Disclaimer

All specifications are subject to change without notice. EMI Devices shall not be liable for incidental or consequential damage if any kind.