

Antenna Kit

Model **M2500-001**

Data Sheet

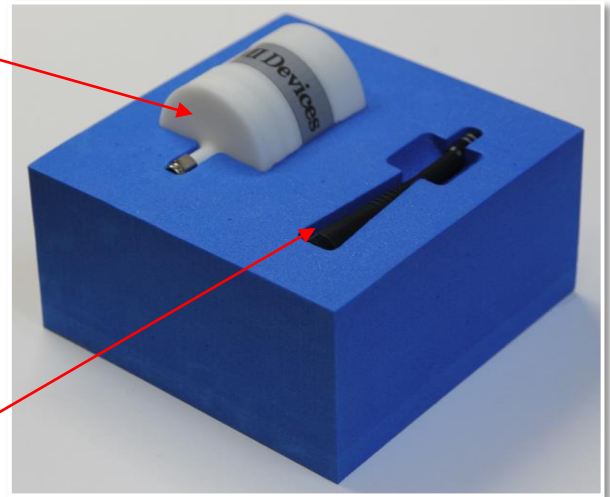


EMI/RFI/ESD Test Solutions

Product Datasheet

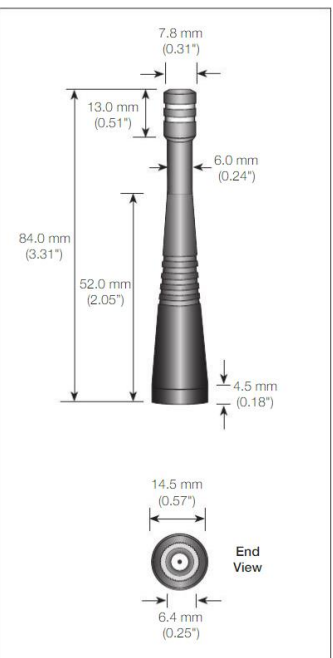
80-1018-000

PR-1005-868



PR-1005-868

EMI Devices Part Number:	PR-1005-868
Description:	¼ Wave Antenna
Manufacturer:	Linx Technologies Inc.
Manufacturer Part Number:	ANT-868-CW-QW-SMA
Center Frequency:	868 MHz
Frequency Range:	750-950 MHz
Detailed Product Datasheet:	ANT-868-CW-QW



Disclaimer

All specifications are subject to change without notice. EMI Devices shall not be liable for incidental or consequential damage if any kind.