

## 60335 TEST PROBE KIT

Model TPK-04: For 60335 based Standards




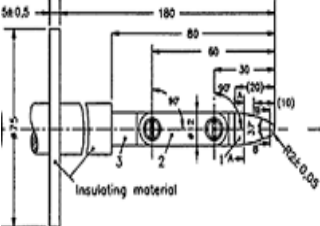

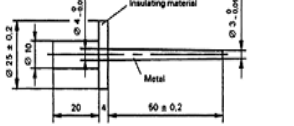

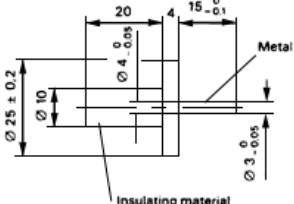
### Test Probe Kits:

Several different ED&D Accessibility probe kits are available for specific standards. Kits can be created for other standards on request. Probe Kits offer substantial cost savings, not to mention added convenience and protection.

The TPK-04 contains the devices listed in the core of 60335 based requirements. It includes the following:

- IEC Jointed Finger Probe (w/ banana jack in handle) (TFP-01)
- Test Thorn Probe (THN-01)
- Test Pin Probe: (short) (TPP-01)
- Rigid Finger Probe (UFP-02)
- Ball Pressure Tester (BPT-01)
- Test Pin Probe (long) 50mm (TPP-04)

**Also includes:** Custom-cut foam padded carrying case and **ISO 17025 Accredited** Certificate of Calibration - - with specific **Scope** for "Accessibility Probes"! One year warranty standard. [3-year warranty with annual factory calibration]. Free lifetime technical assistance.


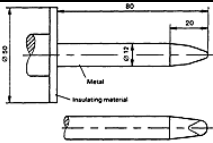

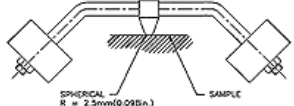

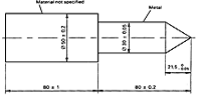
<p><b>TFP-01</b></p> 		<p>This is the "International" test finger required by most IEC, EN and CSA Standards, in addition to many UL Standards. Built in strict accordance to the newest requirements - with integral palm simulator. This is the <b>ONLY</b> Finger Probe available with a integral jack in the handle for continuity testing - as mandated by the IEC CB Scheme. Finger made of chrome plated steel. All parts precision machined.</p>
<p><b>TPP-04</b></p> 		<p>This pin is used on appliances for verifying that there is no access to hazardous live parts of heating elements which could be touched accidentally by a tool (i.e. screwdriver). Meets IEC &amp; EN requirements. Body is Delrin, tip is stainless steel.</p>
<p><b>TPP-01</b></p> 		<p>Used to test accessibility through enclosure openings per IEC, EN, UL and CSA Standards. Body is Delrin, tip is stainless steel.</p>

**Educated Design & Development, Inc. ("ED&D")**

901 Sheldon Drive • Cary, NC • 27513 USA •

Phone: 800-806-6236 • International: 001-919-469-9434 • Fax: (919) 469-5743 •

email: [info@productsafet.com](mailto:info@productsafet.com) • Home page: [www.ProductSafeT.com](http://www.ProductSafeT.com).

<p><b>UFP-02</b></p> 		<p>Used for force applications on openings (i.e. vents) as required by IEC, EN, UL and CSA Standards. Handle made of Delrin, rigid finger made of chrome plated steel.</p>
<p><b>BPT-01</b></p> 		<p>For testing plastics to which hazardous voltage parts are mounted (i.e. terminal blacks, transformer bobbins, etc...) in accordance with most IEC, EN Standards and internationally harmonized UL and CSA Standards (950, 1010, 601, 335, etc.). The unit exerts 20N force on sample. Entirely stainless steel. NOTE - this test is required to be conducted in an oven at elevated ambient.</p>
<p><b>THN-01</b></p> 		<p>For testing accessibility in appliances with visibly glowing heating elements. Also for testing parts supporting such elements. Complies with IEC, EN, UL &amp; CSA requirements. Made entirely of stainless steel.</p>

**NOTE:** ED&D is the world's first and **only** ISO 17025 Accredited firm to obtain specific Scope of Accreditation for the category "Accessibility Probes".

ED&D is accredited by the ANSI-ASQ National Accreditation Board under their brand "ACLASS"



**Inc. 500 | 5000**

ED&D is recognized as the world's most highly awarded product safety test equipment manufacturer. ED&D is a multi-winner of the Fast 50 award as well as an Inc. 5000 award winning company!

