

Features

Frequency range of 10 kHz to 400 MHz

Fully compliant with DO-160/ MIL-STD 461F

“Air-core” inductors to prevent saturation

Individual Calibration Included



Description

The LI-350 Line Impedance Stabilization Network (LISN) provides the necessary measurement platform for performing power line conducted emissions compliance testing as required by most worldwide standards for commercial products. The LI-350 is compliant with both RTCA DO-160 and MIL-STD 461F.

The LISN provides defined stable impedance and isolates the EUT from power source influences, thereby providing accurate and repeatable results.

The LI-350 includes one pair of, separately housed, single-conductor networks, to be installed in series with each current-carrying conductor in a single-phase, dual-phase or DC power system. A second LI-350 pair can be used to accommodate 3-phase power systems (Wye or Delta configurations).

The LI-350 is equipped with Superior Electric SUPERCON® shrouded sockets at the mains (power input) and EUT (power output) ports. The matching color-coded plugs for connection to the mains and EUT wiring are included.

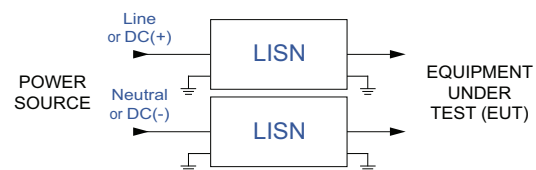
This LISN uses air-core inductors to prevent saturation and permeability variation. The mounting plate of the LI-350 is left unpainted in order to facilitate connection to earth ground in its installation, which is essential due to high leakage current.

Calibration

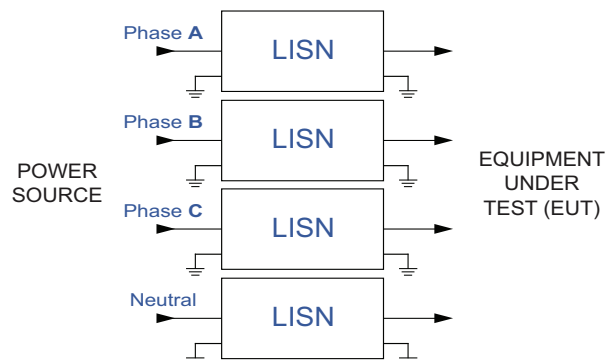
All LI-350 LISNs are individually calibrated in compliance with the relevant requirements of RTCA DO-160 and MIL-STD 461F. Impedance and Insertion Loss data is supplied with each unit, along with the calibration certificate.

Typical Connection Diagrams

Single Phase connection with one set of LISN



Three Phase connection with two sets of LISNs

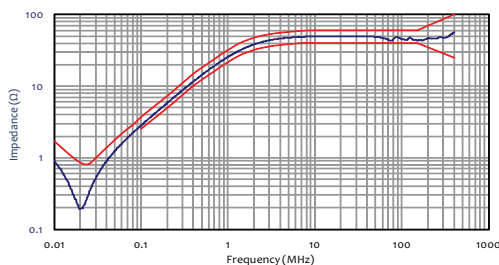


Application

Product Name	Line Impedance Stabilization Network (LISN)
Specification	RTCA DO-160 / MIL-STD 461F
Application	Power line conducted emissions tests
Frequency Range	10 kHz to 400 MHz
RF Connector	50Ω N-type (female)
Current Rating	50 Amperes _(AC) , 35 Amperes _(DC)
Voltage Rating	480 VAC (Line to Ground), 676 VDC
Inductors	5 μH (air-core)
Mains & EUT Connections	Superior Electric SUPERCON ® shrouded sockets
Dimensions (each network)	15.4 x 7 x 6.6 inches / 39.1 x 17.7 x 16.7 cm
Weight (each network)	6 lbs. / 2.7 kg
Insertion Loss	< 0.2 dB (150 kHz to 30 MHz)

All specifications are subject to change without notice.
All values are typical, unless specified.

Impedance - DO-160 Limits



Impedance - Mil Std 461F Limits

