

## Features

Frequency range of 100 kHz to 108 MHz

Fully compliant with CISPR 25 / CISPR 16-1-2

“Air-core” inductors to prevent saturation

Individual Calibration Included



## Description

The LI-550A Line Impedance Stabilization Network (LISN) provides the necessary measurement platform for performing power line conducted emissions compliance testing as required by most worldwide standards for commercial products. The LI-550A is compliant with both CISPR 25 and CISPR 16-1-2.

The LISN provides defined stable impedance and isolates the EUT from power source influences, thereby providing accurate and repeatable results.

The LI-550A includes one pair of, separately housed, single-conductor networks, to be installed in series with each current-carrying conductor in a single-phase, dual-phase or DC power system. A second LI-550A pair can be used to accommodate 3-phase power systems (Wye or Delta configurations).

The LI-550A is equipped with Superior Electric SUPERCON® shrouded sockets at the mains (power input) and EUT (power output) ports. The matching color-coded plugs for connection to the mains and EUT wiring are included.

This LISN uses air-core inductors to prevent saturation and permeability variation. The mounting plate of the LI-550A is left unpainted in order to facilitate connection to earth ground in its installation, which is essential due to high leakage current.

## Transient Protection

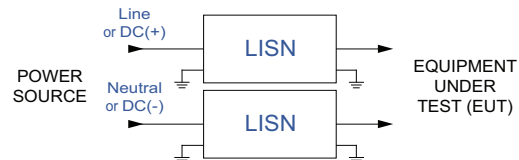
Use of a Transient Limiter for impedance matching, reduction of out-of-band emissions and transient protection for your measurement instrument is highly recommended and available from Com-Power.

## Calibration

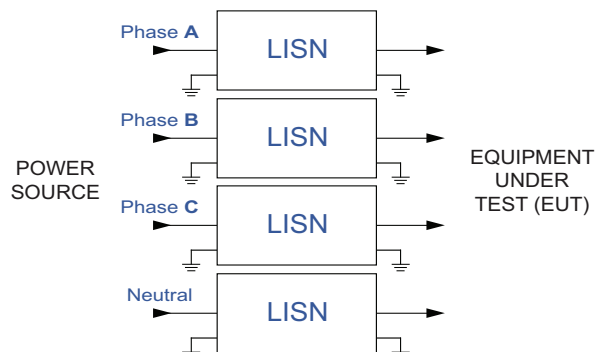
All LI-550A LISNs are individually calibrated in compliance with the relevant requirements of CISPR 25 and CISPR 16-1-2. Impedance, Phase, Isolation, and Insertion Loss data is supplied with each unit, along with the calibration certificate.

## Typical Connection Diagrams

### Single Phase connection with one set of LISN



### Three Phase connection with two sets of LISNs



## Application

<b>Product Name</b>	Line Impedance Stabilization Network (LISN)
<b>Specification</b>	CISPR 25 / CISPR 16-1-2
<b>Application</b>	Power line conducted emissions tests
<b>Frequency Range</b>	100 kHz to 108 MHz
<b>RF Connector</b>	50Ω N-type (female)
<b>Current Rating</b>	50 Amperes <sub>(AC)</sub> , 35 Amperes <sub>(DC)</sub>
<b>Voltage Rating</b>	270 VAC (Line to Ground), 380 VDC
<b>Inductors</b>	5 μH (air-core)
<b>Mains &amp; EUT Connections</b>	Superior Electric <b>SUPERCON</b> ® shrouded sockets
<b>Dimensions (each network)</b>	13 x 7 x 7 inches / 33 x 17.7 x 17.7 cm
<b>Weight (each network)</b>	14 lbs. / 6.3 kg
<b>Insertion Loss</b>	< 1 dB (100 kHz to 108 MHz)
<b>Isolation</b>	> 20 - 40 dB (100 kHz to 3 MHz) > 40 dB (3 MHz to 30 MHz)

All specifications are subject to change without notice.  
All values are typical, unless specified.

